

STIEBEL ELTRON

VCR 180

Achieve healthy indoor air
with heat recovery ventilation
for homes and apartments

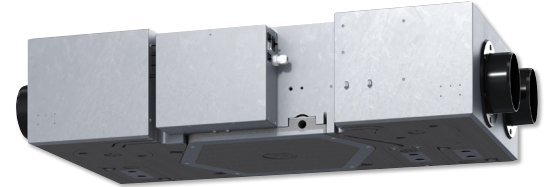


VCR 180 MC

HEAT RECOVERY VENTILATION SYSTEMS

Healthy indoor air

Achieve a health home with ventilation from STIEBEL ELTRON. Air filters installed inside the heat recovery ventilation unit will remove any pollen from the supplied outside air, creating an ideal environment for asthma and allergy sufferers. The cross-flow heat exchanger will capture heat energy from the extracted exhaust air and use it to heat the fresh incoming air.



*The VCR 180 MC is a Sensitive Choice Approved Product when used in conjunction with the F7 filter.

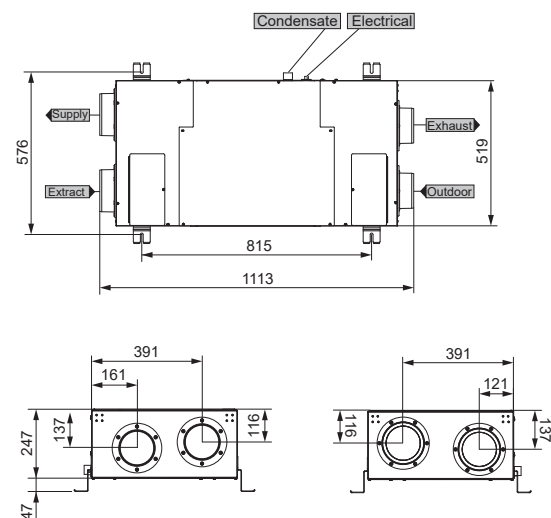
Product features

- › Replaces indoor air with filtered fresh air from outside, ideal for asthma and allergy sufferers
- › Sensitive Choice Approved Product when used in conjunction with the F7 filter
- › Compact and discrete roof installation
- › Energy efficient with up to 87% heat recovery
- › Designed for air flow rates of 50 – 180 m³/h
- › Quiet operation



Type	VCR 180 MC	
Article no.	201848	
Heat recovery	Up to 87 %	
Connection	1/N/PE ~ 230 V / 50 Hz	
Max. current (230V)	A	0.46 5
Power consumption	W	105
Air flow rate	m ³ /h	50 – 180
IP rating	IP20	
Externally available max. static pressure differential	Pa	160 (at 180 m ³ /h)
Application range	°C	0 – 45
Filter class	G4 (M5, F7 Optional)	
Air duct connection	mm	150
Condensate connection	mm	20
Sound power level (EN 12102)	dB(A)	33
Height	mm	248
Width	mm	520
Depth	mm	1113
Weight	kg	18

Dimensions



STIEBEL ELTRON is committed to our policy of continual improvement, some features may have subsequently been changed or even removed. Our advisors will be happy to consult with you regarding the currently applicable equipment features. The images used in this data sheet are for reference only.